

# RT45 TRACTOR

 **Ditch Witch**®



**RIDE-ON**



# RT45 TRACTOR

1

User-friendly operation, with color-coded speed/direction and attachment controls easily accessible by operator; backfill blade controlled by a highly responsive joystick.

2

Advanced operator presence system designed to promote safety by stopping the engine when operator leaves the seat.

3

Operator's station features one-piece molded instrument console designed to provide ample legroom and greater visibility.

4

Advanced air-filtration system designed to improve engine performance; air filter elements are easy to access and replace.

5

Exhaust system is mounted under a composite hood with a horizontal exhaust pipe, diverting noise and hot air from the operator.

6

Tier 4, 49-hp (36.5-kW) Deutz® diesel engine is designed for minimal maintenance and maximum operator productivity.

10

Direct-coupled, high-torque digging chain motor designed for increased production and reliability.

9

Easy-to-use foot pedal that controls infinitely variable ground drive forward and reverse.

8

Heavy-duty engine mount for high-vibration applications.

7

Engine service points are easily accessible from one side, simplifying maintenance.



With the increased horsepower from its Tier 4 engine, the new **Ditch Witch® RT45** is the ideal machine to muscle through the earth—with your choice of trencher, backhoe, earth saw, vibratory plow, microtrencher, or combination trencher/plow attachments—while you enjoy its roomy, comfortable operator's station. With their exceptional power and many customer-driven design features, it's no surprise that Ditch Witch trenchers have been the rental industry's number one choice in this horsepower class for the last 50 years.

**WE'RE IN THIS TOGETHER.**





# RT45 TRACTOR ATTACHMENTS



## H331 VIBRATORY PLOW

### DIMENSIONS

|                                | U.S.   | METRIC |
|--------------------------------|--------|--------|
| Angle of departure             | 22°    |        |
| Cover depth, feed blade, max   | 24 in  | 610 mm |
| Transport length, plow w/blade | 169 in | 4.3 m  |

Offers both feed and pull blades. Maximum cover depth (feed blade) of 24 in (610 mm).

## H350 TRENCHER/PLOW COMBO

### DIMENSIONS\*

|                          |        |            |
|--------------------------|--------|------------|
| Angle of departure       | 33°    |            |
| Trench depth, max        | 42 in  | 1.1 m      |
| Trench width, min to max | 6-8 in | 150-200 mm |

### PLOW DIMENSIONS

|   |       |        |
|---|-------|--------|
| Angle of departure, transport, 18-in (457-mm) blade | 17°   |        |
| Cover depth   | 24 in | 610 mm |

### GENERAL

|   |          |        |
|---|----------|--------|
| Operating weight, w/out augers, boom, chain, and plow blade   | 1,500 lb | 680 kg |
| * Dimensions are based on shortest roller boom, 26 x 12-12 standard tire and wheel, and 12-in (305-mm) pivot. |          |        |
| Trenches up to 42 in (1.07 m) deep and 8 in (200 mm) wide. Plows to a cover depth of 24 in (610 mm).          |          |        |

## H313 TRENCHER

### DIMENSIONS\*

|                          |         |            |
|--------------------------|---------|------------|
| Angle of departure       | 17°     |            |
| Trench depth, max        | 63 in   | 1.6 m      |
| Trench width, min to max | 6-12 in | 150-305 mm |
| Attachment weight        | 610 lb  | 277 kg     |

\* Dimensions are based on shortest roller boom, 26 x 12-12 standard tire and wheel and 12-in (305-mm) pivot.

A centerline trencher w/a maximum trench depth of 63 in (1.6 m).

## H314 TRENCHER

### DIMENSIONS\*

|                          |         |            |
|--------------------------|---------|------------|
| Angle of departure       | 35°     |            |
| Trench depth, max        | 52 in   | 1.3 m      |
| Trench width, min to max |         |            |
| Center                   | 6-12 in | 150-305 mm |
| Offset                   | 6-8 in  | 150-200 mm |
| Attachment weight        | 570 lb  | 260 kg     |

\* Dimensions are based on shortest roller boom, 26 x 12.00-12 standard tire and wheel, and 12-in (305-mm) pivot.

## H342 SAW

### DIMENSIONS

|                              |          |        |
|------------------------------|----------|--------|
| Angle of departure           | 14°      |        |
| Trench depth, max            | 18 in    | 455 mm |
| Overall length, transport    | 162 in   | 4.1 m  |
| Number of teeth on saw wheel | 36       |        |
| Attachment weight            |          |        |
| 2.5-in (65-mm) segments      | 1,550 lb | 700 kg |
| 3.5-in (90-mm) segments      | 1,610 lb | 730 kg |
| 5-in (130-mm) segments       | 1,660 lb | 755 kg |

Offers 18-in (455-mm) digging depth, w/optional widths of 2.5 to 5 in (63.5 to 127 mm).

## A322 BACKHOE

### DIMENSIONS

|                        |        |       |
|------------------------|--------|-------|
| Backhoe length, stowed | 60 in  | 1.5 m |
| Digging depth, max     | 72 in  | 1.8 m |
| Reach from swing pivot | 102 in | 2.6 m |

### GENERAL

|                         |                     |                     |
|-------------------------|---------------------|---------------------|
| Bucket width            | 12 in               | 305 mm              |
| Bucket capacity         | 1.1 ft <sup>3</sup> | 0.03 m <sup>3</sup> |
| Backhoe weight w/bucket | 1,125 lb            | 511 kg              |
| Swing arc               | 160°                |                     |

Features a remote blade lift and throttle. Maximum digging depth of 72 in (1.83 m).

## MT12 MICROTRENCHER

### DIMENSIONS, w/31 x 10 solid tires

|  |             |            |
|--|-------------|------------|
| Angle of departure                     | 19°         |            |
| Trench depth 1-ft (25.4-mm) increments | 6.5-12.5 in | 165-318 mm |
| Blade diameter                         | 34 in       | 864 mm     |
| Trench width                           | 0.75-1.5 in | 19-38 mm   |
| Attachment weight (includes mount kit) | 1,400 lb    | 636 kg     |



# RT45 TRACTOR SPECIFICATIONS

## DIMENSIONS\*

|                                   | U.S.     | METRIC     |
|-----------------------------------|----------|------------|
| Height (H1)                       | 86 in    | 2.18 m     |
| Length, transport (L2)            | 155 in   | 3.9 m      |
| Width (W2)                        | 64 in    | 1.6 m      |
| Basic unit weight                 | 3,240 lb | 1470 kg    |
| Wheelbase (L4)                    | 48 in    | 1.22 m     |
| Spoil discharge reach, min to max | 17-20 in | 430-510 mm |
| Tread (W4)                        | 46 in    | 1.2 m      |
| Ground clearance, min             | 7 in     | 180 mm     |

## POWER

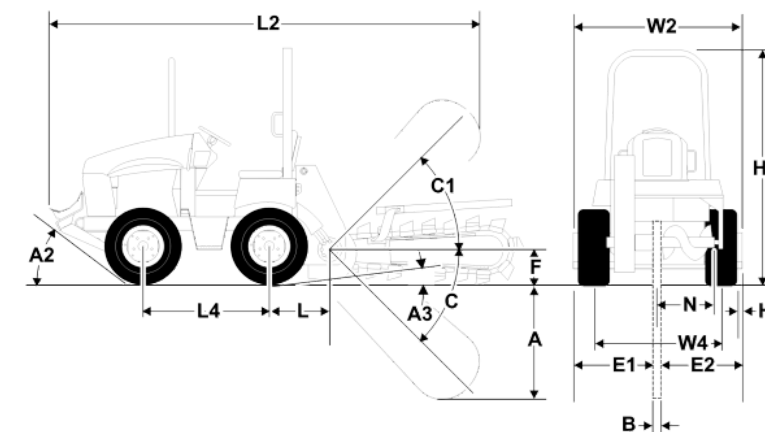
|                      |                     |               |
|----------------------|---------------------|---------------|
| Engine               | Deutz® D2.9 L4      |               |
| Fuel                 | Diesel              |               |
| Cooling medium       | Water               |               |
| Injection            | Direct              |               |
| Aspiration           | Natural             |               |
| Number of cylinders  | 4                   |               |
| Displacement         | 177 in <sup>3</sup> | 2.9 L         |
| Bore                 | 3.6 in              | 92 mm         |
| Stroke               | 4.3 in              | 110 mm        |
| Gross power          | 49 hp               | 36.5 kW       |
| Rated speed          | 2,600 rpm           |               |
| Emissions compliance | EPA Tier 4          | EU Stage IIIA |

## POWER TRAIN

|                               |   |  |
|-------------------------------|---|--|
| Ground drive transmission     | Hydrostatic drive, infinitely variable from zero to maximum, foot-pedal and hand-lever operated speed/direction control |  |
| Differentials                 | Dana Model 44, limited slip; Dana Model 60, limited slip  |  |
| Parking brake                 | Disc, hand-operated   |  |
| Service brake                 | Ground drive speed/direction control brakes machine hydraulically when moved to neutral position                        |  |
| Attachment drive transmission | Hydrostatic, lever operated, speed infinitely variable from zero to maximum forward with limited stroke reverse         |  |
| Trencher drive transmission   | Hydrostatic   |  |

\* Dimensions are based on H313 attachment and shortest roller boom length, 26 x 12-12 standard tire and wheel, and 12-inch pivot.  
\*\* Operating weight based on H313 attachment, longest roller boom, heaviest chain, 175 lb operator, and 26 x 12-12 tires.

Specifications are general and subject to change without notice. If exact measurements are required, equipment should be weighed and measured. Due to selected options, delivered equipment may not necessarily match that shown.



## OPERATION\*\*

|   | U.S.     | METRIC    |
|---|----------|-----------|
| Forward speed, max                                | 4.7 mph  | 7.6 km/h  |
| Reverse speed, max                                | 2.7 mph  | 4.4 km/h  |
| Vehicle clearance circle                          |          |           |
| Front steer only                                  | 28 ft    | 8.5 m     |
| Coordinated steer                                 | 20 ft    | 6.1 m     |
| Digging chain speed, max (2,600 rpm engine speed) | 460 fpm  | 140 m/min |
| Operating weight                                  | 5,375 lb | 2438 kg   |
| Headshaft speed, max (2,600 rpm engine speed)     | 233 rpm  |           |

## HYDRAULIC SYSTEM @ 2,600 RPM

|                                   |           |           |
|-----------------------------------|-----------|-----------|
| Ground drive pump capacity        | 31.5 gpm  | 119 l/min |
| Ground drive pump relief pressure | 3,650 psi | 252 bar   |
| Attachment drive                  |           |           |
| Trencher                          | 5,000 psi | 345 bar   |
| Plow/saw                          | 3,750 psi | 259 bar   |
| Attachment pump capacity          | 31.5 gpm  | 119 l/min |
| Auxiliary pump capacity           | 11.5 gpm  | 44 l/min  |
| Auxiliary pump relief pressure    | 2,100 psi | 145 bar   |

## NOISE LEVEL

|          |                                    |  |
|----------|------------------------------------|--|
| Operator | 96 dBA sound pressure per ISO 6394 |  |
| Exterior | 108 dBA sound power per ISO 6393   |  |

## FLUID CAPACITIES

|                     |         |       |
|---------------------|---------|-------|
| Fuel tank           | 13 gal  | 49 L  |
| Engine oil          | 6.4 qt  | 6.1 L |
| Hydraulic system    | 13 gal  | 49 L  |
| Hydraulic reservoir | 9.5 gal | 36 L  |
| Coolant             | 3 gal   | 11 L  |

## BACKFILL BLADE

|                           |       |        |
|---------------------------|-------|--------|
| Blade width               | 64 in | 1.6 m  |
| Blade height              | 14 in | 355 mm |
| Lift height, above ground | 12 in | 300 mm |
| Blade drop, below ground  | 8 in  | 200 mm |
| Swing angle, max          |       |        |
| Left/right                | 28°   |        |
| Tilt angle                | 11°   |        |

## TIRES/PRESSURE

|   |                   |                   |
|---|-------------------|-------------------|
| 26 x 12-12, 4-ply bar lug               | 1,780 lb @ 20 psi | 807 kg @ 1.40 bar |
| 29 x 12.50-15, 8-ply bar lug (optional) | 2,150 lb @ 30 psi | 975 kg @ 2.07 bar |

## BATTERY

|                                 |             |  |
|---------------------------------|-------------|--|
| Group                           | 26/26R/70   |  |
| SAE reserve capacity rating     | 165 min     |  |
| Cold crank rating @ 0°F (-18°C) | 850 amps    |  |
| Auxiliary power outlet          | 12V, 5 amps |  |





**FIND THE SUPPORT YOU NEED AT YOUR DITCH WITCH® DEALER, INCLUDING:**



### **DIGGING SYSTEMS**

Replacing worn digging system components is essential to maintaining maximum productivity from your trencher. See your dealer for genuine Ditch Witch chain, specially manufactured headshaft sprockets and digging teeth, which are designed to work together as a system to provide unparalleled trenching performance.



### **PARTS**

Tires, rubber tracks, o-ring kits, decals, paint, filters, hydraulic cylinder kits, belts, and many other accessories and replacement parts are available at your local Ditch Witch dealership, where you'll also find expert advice that comes from years of experience in the underground construction industry.



### **SERVICE**

Your Ditch Witch dealership offers professional service technicians who are extensively trained in every aspect of Ditch Witch equipment maintenance and repair. Ask a service representative about our Orange Armor® Planned Maintenance program, a schedule of maintenance at factory-suggested intervals that keeps your equipment in peak operating condition.

