

# VP30 VIBRATORY PLOW

 **Ditch Witch**®



**VIBRATORY PLOWS**



# VP30 VIBRATORY PLOW

1

Hydrostatic steering and easy-touch controls increase machine responsiveness and reduce operator fatigue.

2

The VP30 has no daily grease zerks—a Ditch Witch exclusive—so daily maintenance is quick and easy.

3

Powered by a 31-hp (23-kW) Briggs and Stratton® engine, making the VP30 the most powerful machine in its class.

4

Exceptionally low ground pressure of 4.1 psi (0.28 bar) creates minimal disruption to residential lawns.

5

Construction-grade, compact design allows for better maneuverability on tight, residential jobsites.

9

An industry-first variable flow control helps you precisely control the flow to the shaker box and adjust ground drive speed for varying ground conditions, improving overall productivity.

8

Simple, open design allows for easy service access and uses greaseless, sealed bearings for extended track assembly life.

7

Proven, maintenance-free pivot design increases uptime.

6

Two standard blade options and two new blades—the pull and feed blades—can be adjusted between 6 in (152.4 mm) and 12 in (304.8 mm) to meet fiber installation-depth requirements.



When it comes to the installation of fiber, cable and lawn irrigation pipe, you need an all-around solution that delivers the most power, the most reliability and the most dynamic design to fit into tight spots around residential areas. The Ditch Witch VP30 vibratory plow does all that and more. This robust machine is manufactured to get the job done and get it done with less maintenance and less hassle.

WE'RE IN THIS TOGETHER.





# VP30 VIBRATORY PLOW SPECIFICATIONS

	U.S.	METRIC
<b>DIMENSIONS</b>		
Reel carrier diameter, max (A)	20 in	508 mm
Plow depth, max (B)	12 in	305 mm
Ground clearance w/plow in stow, min (C)	6 in	152 mm
Machine height (H)	48 in	1220 mm
Plow blade height in stow (H1)	47 in	1195 mm
Height w/max reel diameter (H2)	59 in	1500 mm
Machine length, max (L)	91 in	2311 mm
Track length (L1)	35 in	890 mm
Machine width (W)	35 in	890 mm
Product wheel width, max (W1)	14 in	355 mm

<b>OPERATION</b>		
Ground drive speed, max		
Forward	1.41 mph	2.27 km/h
Reverse	1.43 mph	2.30 km/h
Ground pressure*	4.1 psi	0.28 bar
Approach angle w/adjustable feed blade	35°	
Machine weight	1,993 lb	904 kg

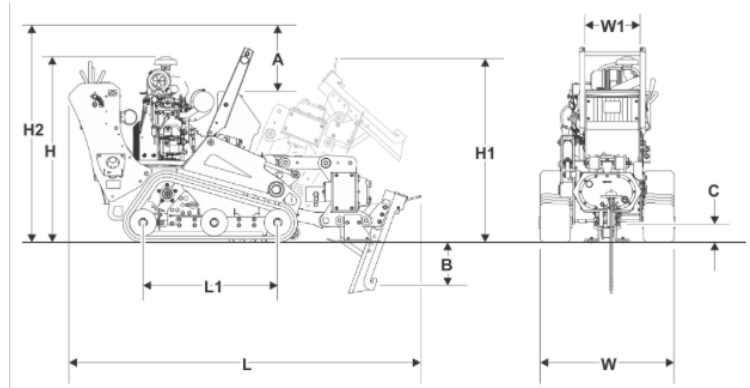
<b>POWER</b>		
Engine	Briggs & Stratton® Vanguard™	
Manufacturer's gross power rating (per SAE J1940)	31 hp	23.1 kW
Fuel	Gasoline	
Cooling medium	Air	
Number of cylinders	2	
Displacement	54.7 in <sup>3</sup>	0.90 L
Bore	3.37 in	85.5 mm
Stroke	3.07 in	78 mm
Rated speed	3,600 rpm	

	U.S.	METRIC
<b>HYDRAULIC SYSTEM</b>		
Auxiliary circuit		
Double gear pump		
Flow rate (pump #1)	13.25 gpm	60.3 l/min
Flow rate (pump #2)	3.74 gpm	17 l/min
Pressure	3,000 psi	207 bar
Ground drive		
Dual hydrostatic pumps		
Pressure	2,500 psi	172 bar

<b>FLUID CAPACITIES</b>		
Fuel tank	6.2 gal	23.5 L
Hydraulic reservoir	11.5 gal	43.5 L
Engine oil w/filter	2.3 qt	0.95 L

\*Dimensions are dependent on plow blade size, tire size and selection of trencher options.

Specifications are general and subject to change without notice. If exact measurements are required, equipment should be weighed and measured. Due to selected options, delivered equipment may not necessarily match that shown.



## VIBRATORY PLOW PARTS, ACCESSORIES AND SUPPORT:



### DEALER SERVICE AND SUPPORT

Whether it's new or used equipment, parts, service, financing, or all of the above, your Ditch Witch® dealer is prepared to offer you the best of everything. Ditch Witch dealers are chosen for their commitment to the underground construction profession, and they are thoroughly trained to represent the highest standards in the industry.

